

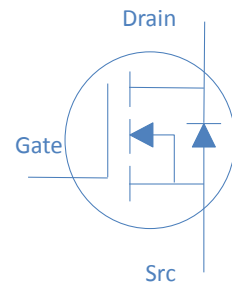
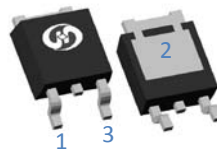
30V N-Ch Power MOSFET
Feature

- ◇ High Speed Power Switching, Logic Level
- ◇ Enhanced Avalanche Ruggedness
- ◇ 100% UIS Tested, 100% Rg Tested
- ◇ Lead Free, Halogen Free

V_{DS}	30	V
$R_{DS(on),typ}$	$V_{GS}=10V$	7.5 mΩ
I_D (Silicon Limited)	50	A

Application

- ◇ Hard Switching and High Speed Circuit
- ◇ DC/DC in Telecoms and Industrial

TO-252


Part Number	Package	Marking
HTD090N03	TO-252	TD090N03

Absolute Maximum Ratings at $T_j=25^\circ\text{C}$ (unless otherwise specified)

Parameter	Symbol	Conditions	Value	Unit
Continuous Drain Current (Silicon Limited)	I_D	$T_C=25^\circ\text{C}$	50	A
		$T_C=100^\circ\text{C}$	35	
Drain to Source Voltage	V_{DS}	-	30	V
Gate to Source Voltage	V_{GS}	-	± 20	V
Pulsed Drain Current	I_{DM}	-	140	A
Avalanche Energy, Single Pulse	E_{AS}	$L=0.1\text{mH}, T_C=25^\circ\text{C}$	70	mJ
Power Dissipation	P_D	$T_C=25^\circ\text{C}$	50	W
Operating and Storage Temperature	T_J, T_{stg}	-	-55 to 150	$^\circ\text{C}$

Absolute Maximum Ratings

Parameter	Symbol	Max	Unit
Thermal Resistance Junction-Ambient	$R_{\theta JA}$	75	$^\circ\text{C/W}$
Thermal Resistance Junction-Case	$R_{\theta JC}$	2.5	$^\circ\text{C/W}$

Electrical Characteristics at $T_J=25^{\circ}\text{C}$ (unless otherwise specified)
Static Characteristics

Parameter	Symbol	Conditions	Value			Unit
			min	typ	max	
Drain to Source Breakdown Voltage	$V_{(BR)DSS}$	$V_{GS}=0V, I_D=250\mu A$	30	-	-	V
Gate Threshold Voltage	$V_{GS(th)}$	$V_{GS}=V_{DS}, I_D=250\mu A$	1	1.7	3	
Zero Gate Voltage Drain Current	I_{DSS}	$V_{GS}=0V, V_{DS}=24V, T_J=25^{\circ}\text{C}$	-	-	1	μA
		$V_{GS}=0V, V_{DS}=20V, T_J=125^{\circ}\text{C}$	-	-	25	
Gate to Source Leakage Current	I_{GSS}	$V_{GS}=\pm 20V, V_{DS}=0V$	-	-	± 100	nA
Drain to Source on Resistance	$R_{DS(on)}$	$V_{GS}=10V, I_D=25A$	-	7.5	9	m Ω
		$V_{GS}=4.5V, I_D=15A$	-	11	13.5	
Transconductance	g_{fs}	$V_{DS}=5V, I_D=20A$	-	20	-	S
Gate Resistance	R_G	$V_{GS}=15mV, V_{DS}=0V, f=1MHz$	-	1.7	-	Ω

Dynamic Characteristics

Input Capacitance	C_{iss}	$V_{GS}=0V, V_{DS}=15V, f=1MHz$	-	828	-	pF
Output Capacitance	C_{oss}		-	196	-	
Reverse Transfer Capacitance	C_{rss}		-	174	-	
Total Gate Charge	$Q_g(10V)$	$V_{DD}=15V, I_D=30A, V_{GS}=10V$	-	17.6	-	nC
	$Q_g(4.5V)$		-	12.5	-	
Gate to Source Charge	Q_{gs}		-	2.8	-	
Gate to Drain (Miller) Charge	Q_{gd}		-	7.4	-	
Turn on Delay Time	$t_{d(on)}$	$V_{DD}=15V, I_D=25A, V_{GS}=10V,$ $R_G=2.7\Omega,$	-	8	-	ns
Rise time	t_r		-	18	-	
Turn off Delay Time	$t_{d(off)}$		-	20	-	
Fall Time	t_f		-	3	-	

Reverse Diode Characteristics

Diode Forward Voltage	V_{SD}	$V_{GS}=0V, I_F=50A$	-		1.3	V
Reverse Recovery Time	t_{rr}	$I_F=50A, di_F/dt=100A/\mu s$	-	22	-	ns
Reverse Recovery Charge	Q_{rr}		-	12	-	nC

Fig 1. Typical Output Characteristics

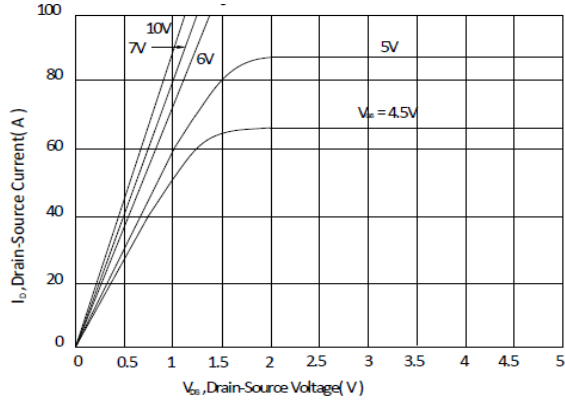


Figure 2. On-Resistance vs. Gate-Source Voltage

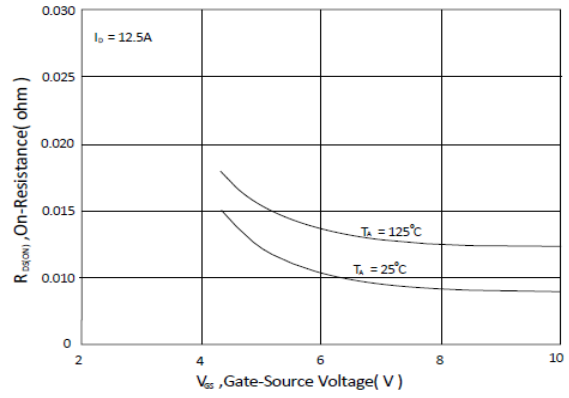


Figure 3. On-Resistance vs. Drain Current and Gate Voltage

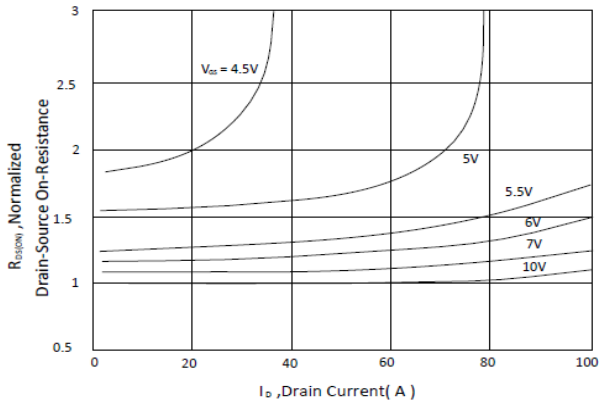


Figure 4. Normalized On-Resistance vs. Junction Temperature

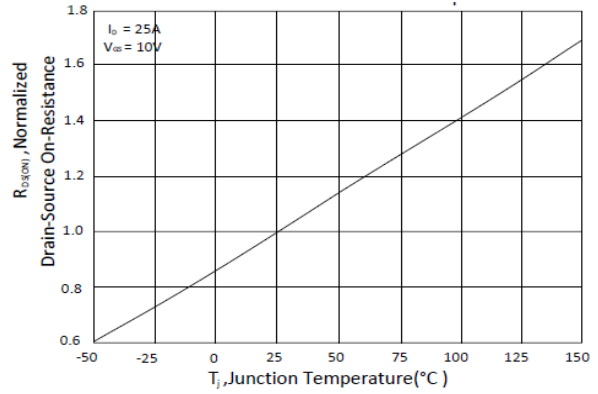


Figure 5. Typical Transfer Characteristics

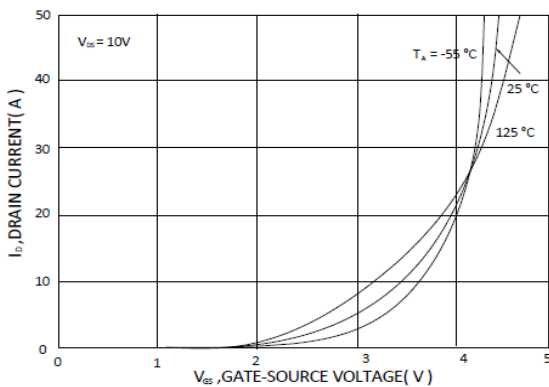


Figure 6. Typical Source-Drain Diode Forward Voltage

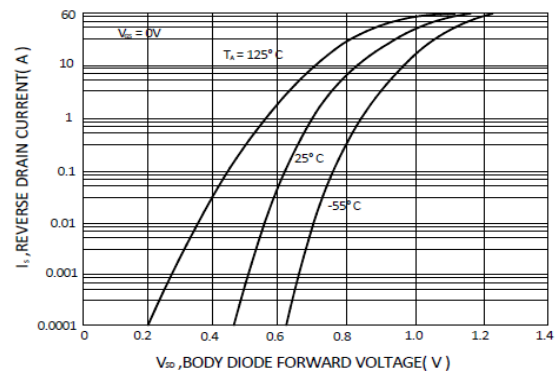


Figure 7. Typical Gate-Charge vs. Gate-to-Source Voltage

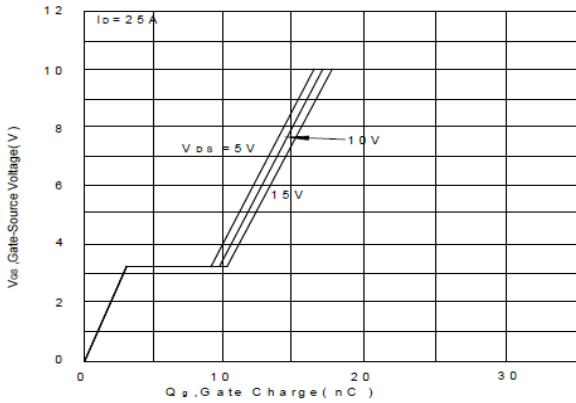


Figure 8. Typical Capacitance vs. Drain-to-Source Voltage

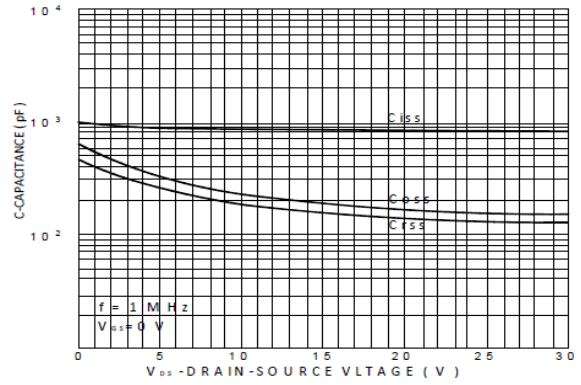


Figure 9. Maximum Safe Operating Area

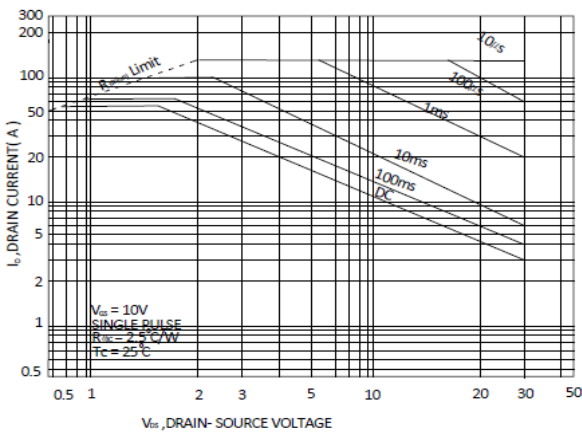


Figure 10. SINGLE PULSE MAXIMUM POWER DISSIPATION

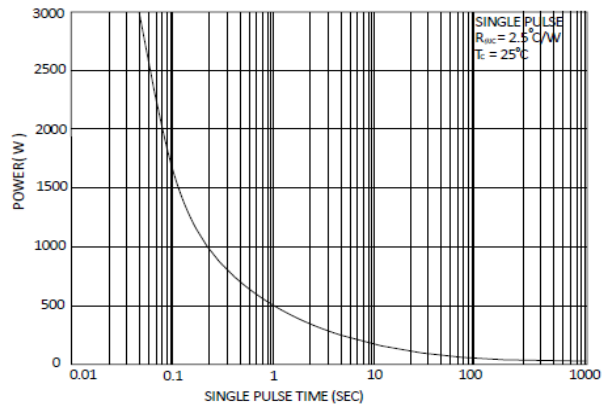
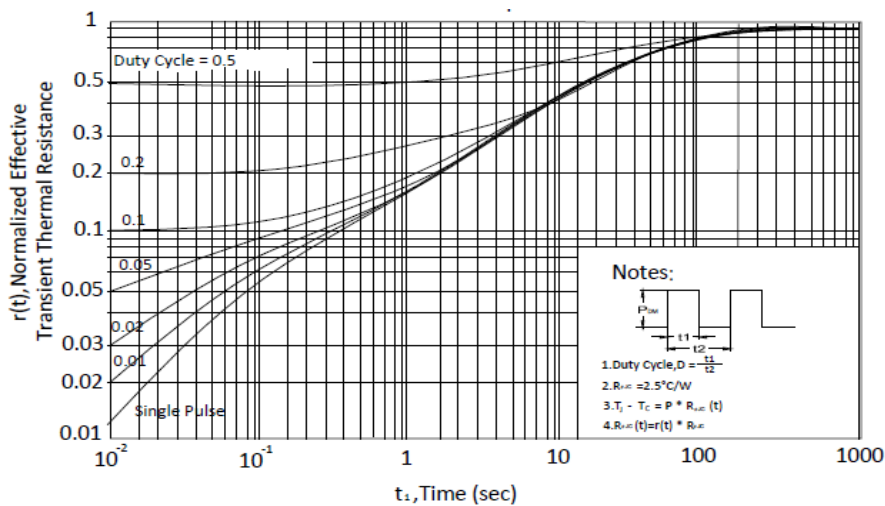
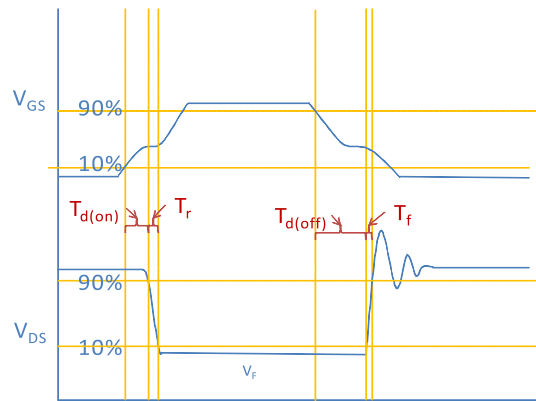
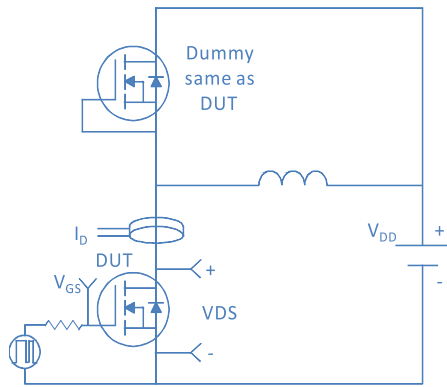


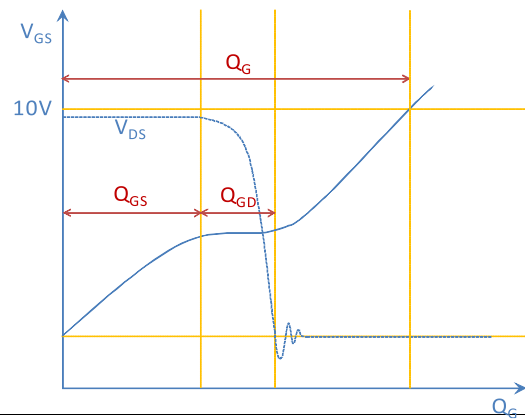
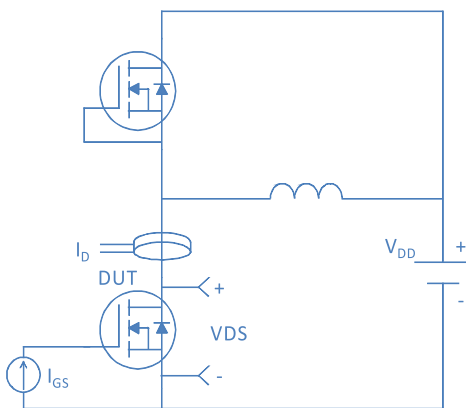
Figure 11. Normalized Maximum Transient Thermal Impedance, Junction-to-Ambient



Inductive switching Test



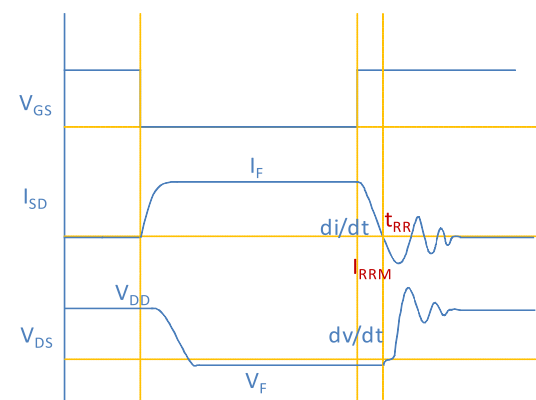
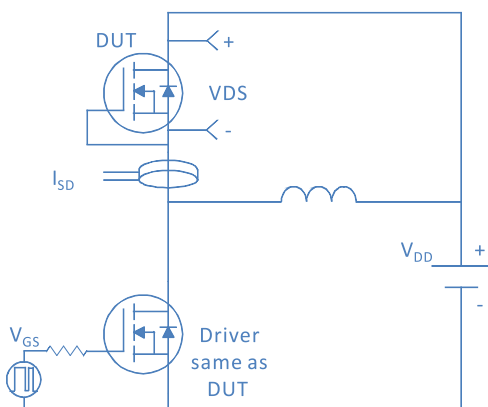
Gate Charge Test



Uclamped Inductive Switching (UIS) Test

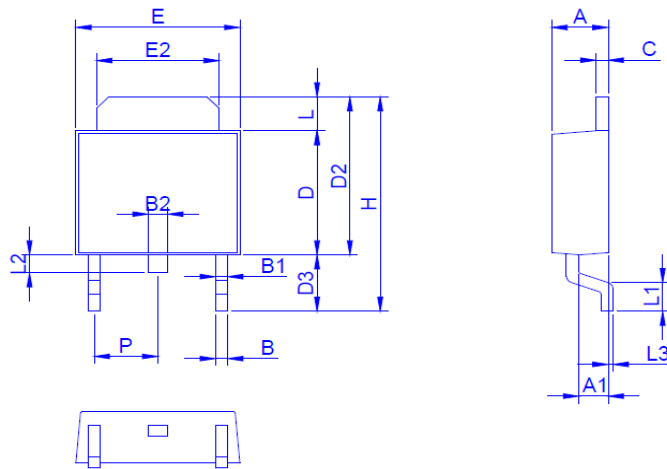


Diode Recovery Test



Package Outline

TO-252, 3leads



Dimension	A	A1	B	B1	B2	C	D	D2	D3	E	E2	H	L	L1	L2	L3	P
Min.	2.10	0.95	0.30	0.40	0.60	0.40	5.30	6.70	2.20	6.40	4.80	9.20	0.89	0.90	0.50	0.00	2.10
Max.	2.50	1.30	0.85	0.94	1.00	0.60	6.20	7.30	3.00	6.70	5.45	10.15	1.70	1.65	1.10	0.30	2.50